

It has a broader range and is more versatile.
General-purpose equipment that can be used for a broader range of applications.

Wet blasting equipment for large workpieces

MS-11



1. Big enough for long sized object

Its processing area is about 1.6 times larger than that of MRB-7

Compared to MRB-7, MS-11 has a much larger cabinet, and its processing area is 1.6 times larger. It can also handle long parts such as pipes, straight-6 engines and mufflers that MRB-7 cannot process.



2. Higher Durability

Using stainless steel and original urethane rubber parts

Stainless steel protect the machine from abrasion.

Urethane rubber parts used inside the pump and pipes are Macoho's original product.



3. A wider choice of applications than ever before!

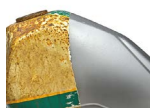
Meet your expectation with much more selection of abrasives

Polygon abrasives are applicable as well as sphere ones such as glass beads.

This range of selection will meet your purpose of processes from cleaning, degreasing to peeling or polishing.



Paint peeling and cleaning of aluminum cylinders



Paint peeling of steel fuel tank



Removing of weld on stainless steel parts



Paint peeling of resin cover

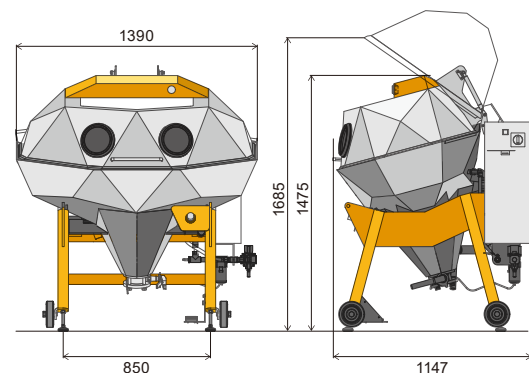
MS-11 was developed for the purpose of handling a wider range of applications and is a higher end version of MRB-7. The two biggest differences are "fully compatible with applications other than cleaning" and "large cabinet size".

It utilizes the special urethane that is used in each of Macoho's automated equipment. Besides spherical abrasives, it can also use polygonal abrasives that have a higher grinding power.

Furthermore, with a wide cabinet that is equal to two MRB-7's side by side, it can handle parts longer than 1 meter.

However, despite its high functionality, it is simple, robust, and easy to use.

You can have complete trust that this can do all your necessary professional work.



Dimensions	W1390xD1147xH1475mm
Inner diameters (mm)	
Load Capacity	30 kg
Power	AC200V3Phase 15A
Air consumption	700L/min
Weight	250kg